

The Conceptual Schema of Ethereum

Antoni Olivé

Universitat Politècnica Catalunya-BarcelonaTech

Project goals



What is its conceptual schema?



Do we know how to specify it?

<https://ethereum.org>

Has Ethereum a conceptual schema?

Ethereum is a particular kind of distributed **database**



All databases have a **conceptual schema**



Ethereum **has** a conceptual schema

Where is the explicit conceptual schema of Ethereum?

ETHEREUM: A SECURE DECENTRALISED GENERALISED TRANSACTION LEDGER
PETERSBURG VERSION 3e2c089 – 2020-09-05

Beigepaper:

An Ethe




Ethereum White Paper
A NEXT GENERATION
By Vitalik Buterin

GENERALIZED APPLICATION PLATFORM

NOT FOUND!


11 Best Books on Ethereum – Must Read!

How does Ethereum work anyway?

 Preethi Kasireddy Sep 27, 2017 · 33 min read

#Blockchain for Developers #Solidity

How To Learn Solidity: The Ultimate Ethereum Coding Tutorial

 Ryan Molecke

November 3-6, 2020 in Vienna, Austria



Is the explicit schema useful?

Makes the **understanding** of Ethereum **easier**.
First understand **What**, then How.

Necessary for the development of
Ethereum-based DApps.

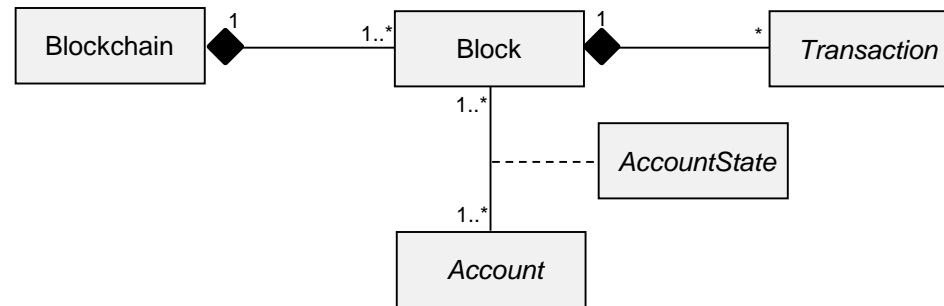
Can we specify the conceptual schema of Ethereum?

How to specify the **immutability**?

How do we specify that, besides the transactions,
it maintains
the **full state history** of the state of the instances of *Account*?

Project results/1

The **structural conceptual schema** of Ethereum.



Project results/2

Population constraints



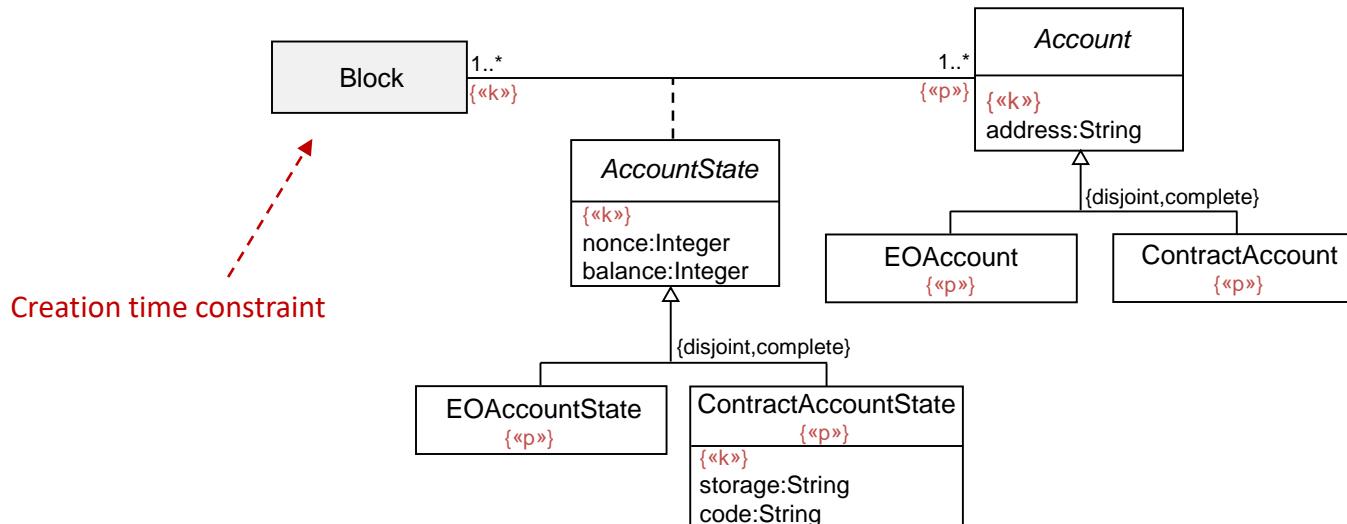
Immutability

Creation time constraint



Full state history

Project results/2



Thanks for your attention